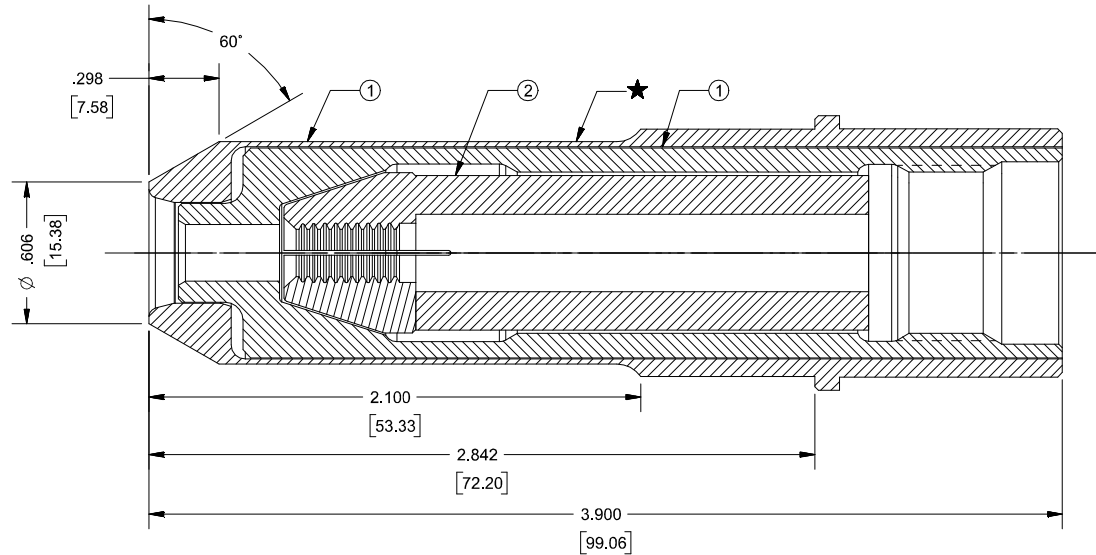
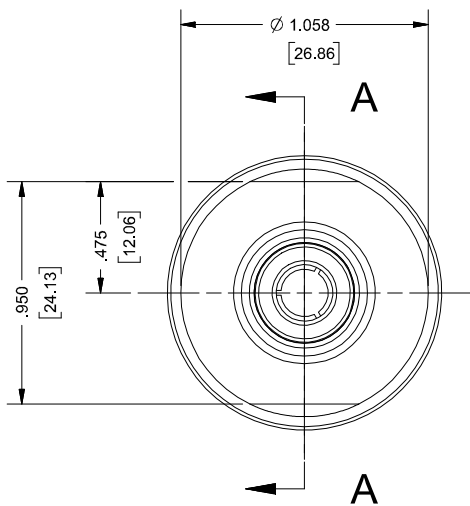


REV	DESCRIPTION	DET	DATE
J	REDRAWN IN NX	SMM	07/28/22



SECTION A-A

3	122118	COLLET	1
2	122120	JAWS, UNITIZED	1
1	107088	ANVIL	1
ITEM	PART NO.	DESCRIPTION	QTY

IDENTIFICATION PER SPEC 42-311: ★		ETCH	HUCK INTERNATIONAL, INC., I.S.D 1 CORPORATE DR KINGSTON, NEW YORK 12401	
ITAR/ECCN:	EAR99		ASSY, NOSE -10 BOM	
HTS:	8467.99.0190		ENG: SMM	DET: SMM
SCH B#:	8467.99.0190	B	99-769	

By accepting this proprietary Huck drawing, recipient agrees not to reproduce or disclose any part thereof to any other without the written permission of Huck International, Inc.