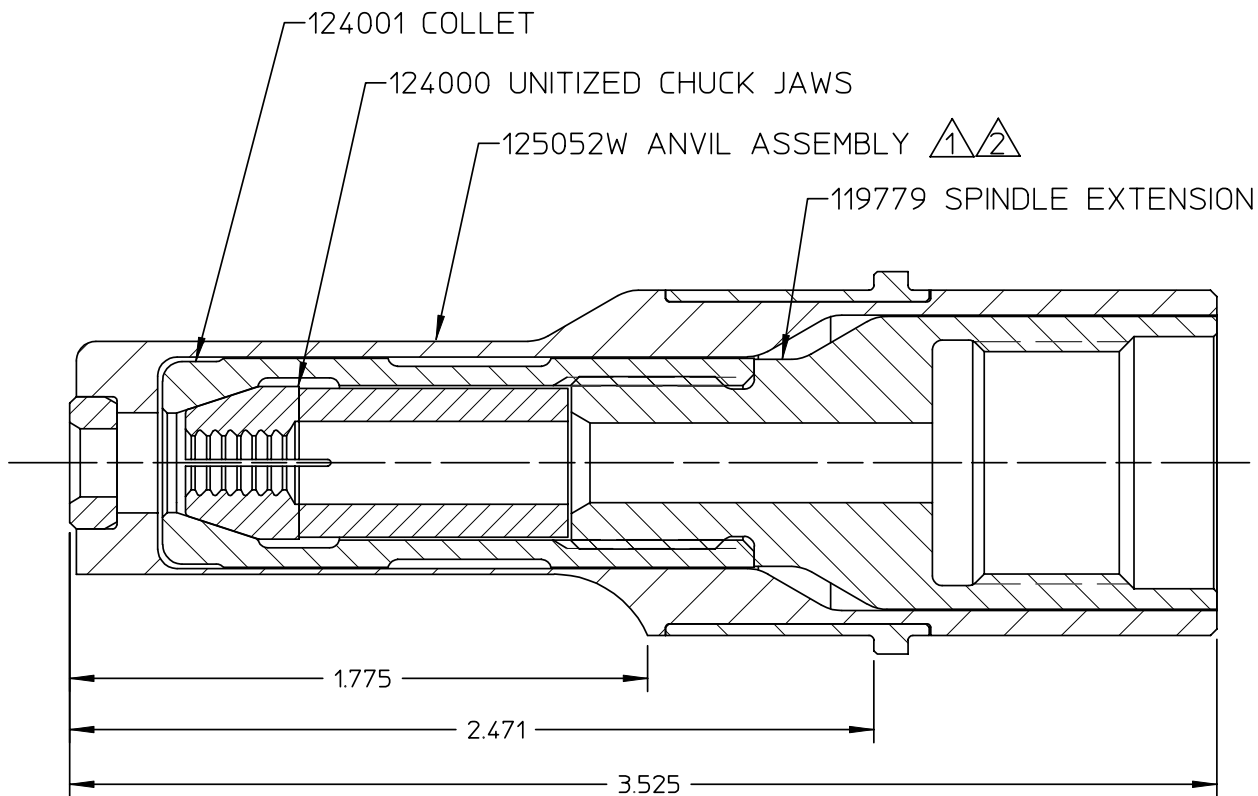
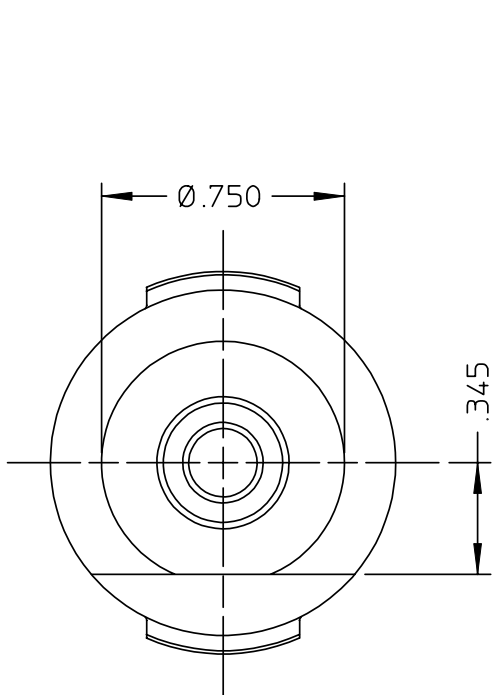


# DATA SHEET



**Alcoa Fastening Systems**

Commercial Products  
1 Corporate Drive, Kingston, NY 12401

99-2716W

Part Number

TYPE:	NON-SELF-RELEASING	
FASTENER:	-08 BB	
TOOL(S):	245, 353	
Notes:	Product Revision:	<b>A</b>
US Patent:	Date:	07/08/03

NOTES:

$\triangle 1$  ANVIL ASSEMBLY 125052W CONSISTS OF:  
ANVIL HOLDER ASSEMBLY 125051 AND  
ANVIL INSERT 126266-08.

$\triangle 2$  ANVIL HOLDER ASSEMBLY 125051 CONSISTS OF:  
ANVIL HOLDER 125050 AND  
RETAINER 120737.