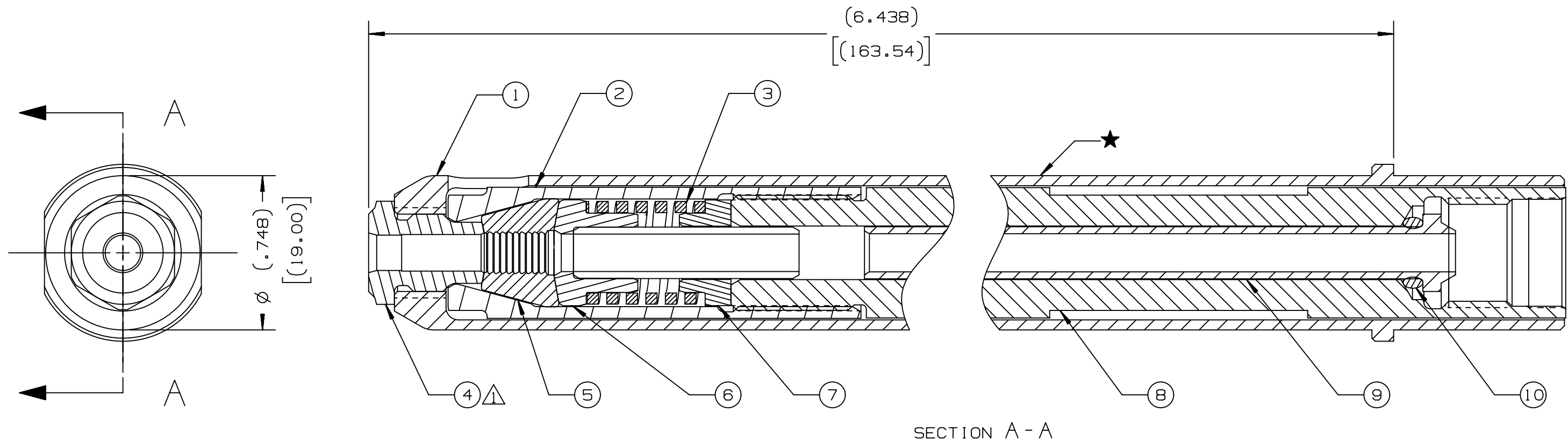


REV	DESCRIPTION	DET	DATE
H	ITEM 4, DRIVING ANVIL 117842 WAS 116907, UPDATE DRAWING FORMAT, NOTE 1, OFFER DRIVING ANVIL 116907 AS OPTION	EL	07/29/19

NOTES:

(H)  $\triangle$  CONCAVE INSERT, OPTIONALLY AVAILABLE, PART# 116907



SECTION A - A

500775	1	O-RING	10
122023-1	1	PINTAIL TUBE	9
124358	1	EXTENSION	8
116912	1	CAP	7
116911	1	FOLLOWER	6
128347	1	CHUCK JAWS	5
(H) 117842	1	ANVIL INSERT	4
123877	1	SPRING	3
116909	1	COLLET	2
116910-1	1	ANVIL HOLDER	1
PART NO.	QTY	DESCRIPTION	ITEM

IDENTIFICATION PER SPEC 42-311: ★ PERMANENT		HUCK INTERNATIONAL, INC., I.S.D 1 CORPORATE DR KINGSTON, NEW YORK 12401	
ITAR/ECCN: EAR99		NOSE ASM -08 MGL LONG	
SCH B#: 8467.99.0190		FINAL ASSY: -	
ENG: NDG	CK:	DATE: 11/02/05	SCALE: 2:1
HTS: 8467.99.0190	B	99-3306	