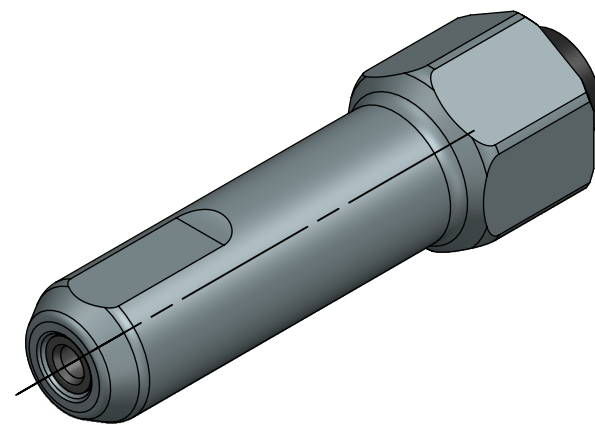
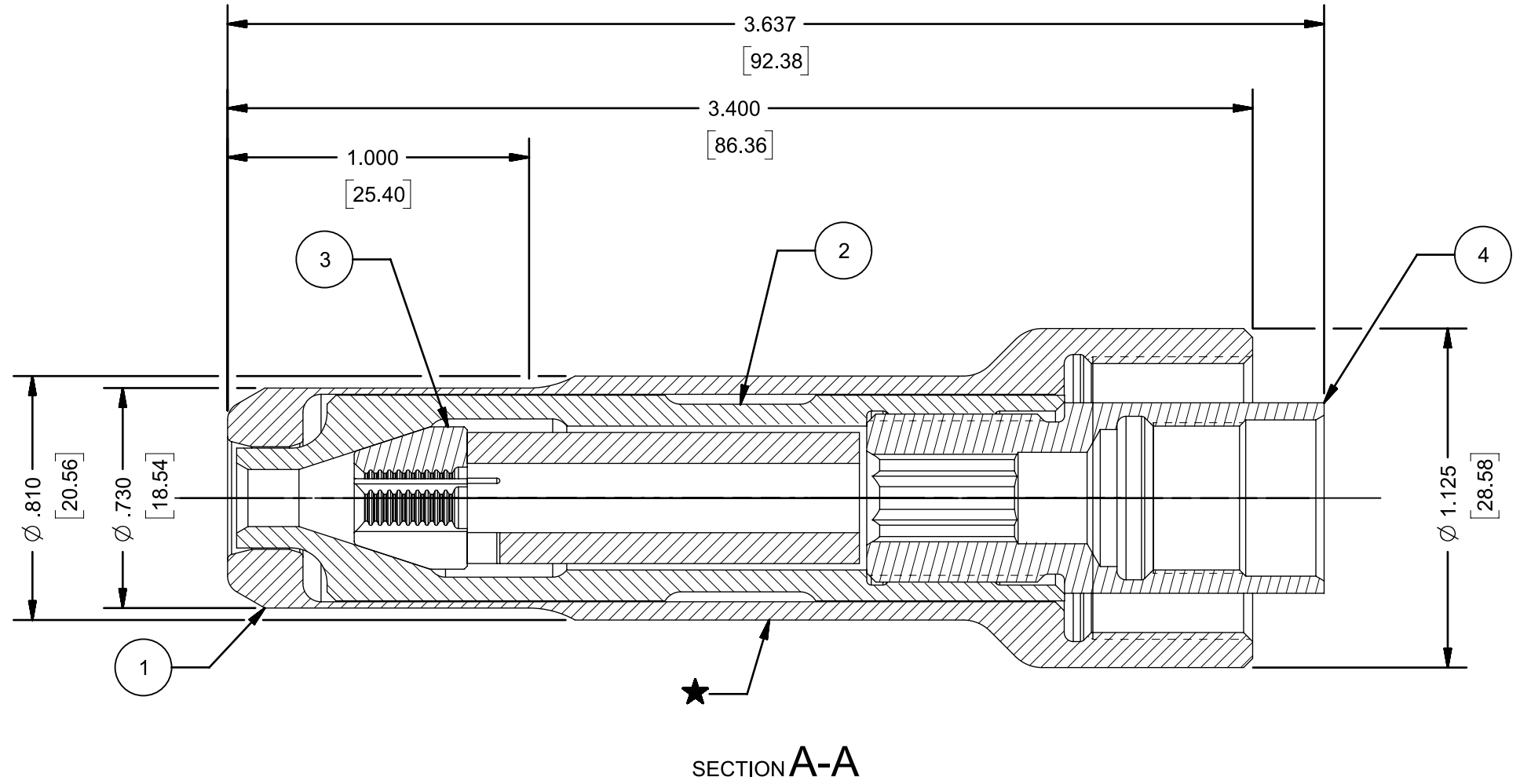
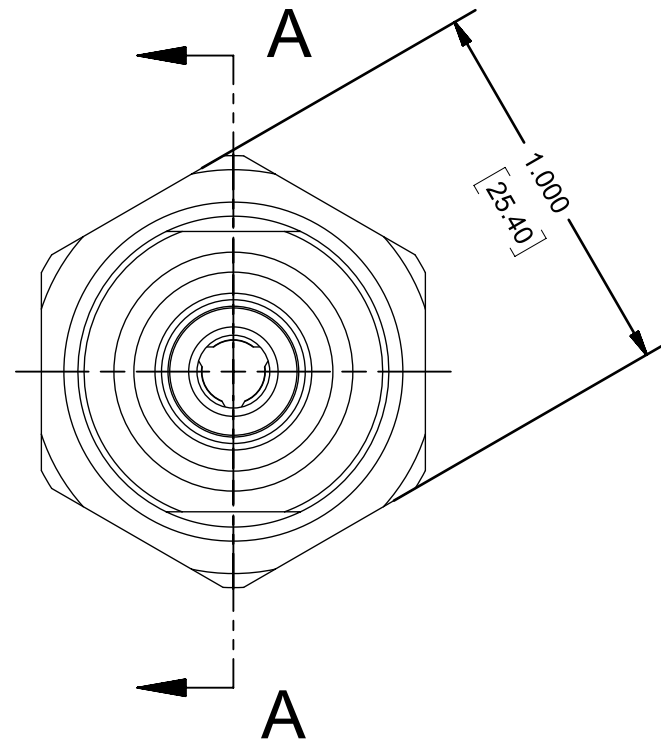


NOTE:

1 THIS NOSE ASSEMBLY WAS DESIGNED TO SAFELY FUNCTION WHEN INSTALLED ON A BV4500. HOWEVER, THE INSTALLATION LOADS REQUIRED BY THE FASTENER EXCEED THE RATED LOAD OF THE BV4500 AND WILL RESULT IN REDUCED SERVICE LIFE AND POSSIBLE OVERHEATING OF THE TOOL.




SCALE 1:1

By accepting this proprietary Huck drawing, recipient agrees not to reproduce or disclose any part thereof to any other without the written permission of Huck International, Inc.

REV	DESCRIPTION	DET	DATE
A	ORIGINAL RELEASE	DFL	06/14/22

ITEM	PART NO.	DESCRIPTION	QTY
4	124360	SPINDLE EXTENSION	1
3	132447	UNITIZED CHUCK JAWS	1
2	132441	COLLET, -08 BOM	1
1	132446	ANVIL INTEGRAL	1

FORM KE104 Rev G		FIRST USE: -		SHEET 1 of 1	
IDENTIFICATION PER SPEC 42-311: ★		ETCH		 HUCK INTERNATIONAL, INC., I.S.D 1 CORPORATE DR KINGSTON, NEW YORK 12401	
ITAR/ECCN: EAR99		HTS: 8467.99.0190			
SCH B#: 8467.99.0190		ENG: DFL    DET: DFL    DATE: 06/14/22    SCALE: 2:1		NOSE, -08 BOM BV4500	
		<b>B</b>		<b>99BOM-08-IRBO</b>	

[12.0x18.0]