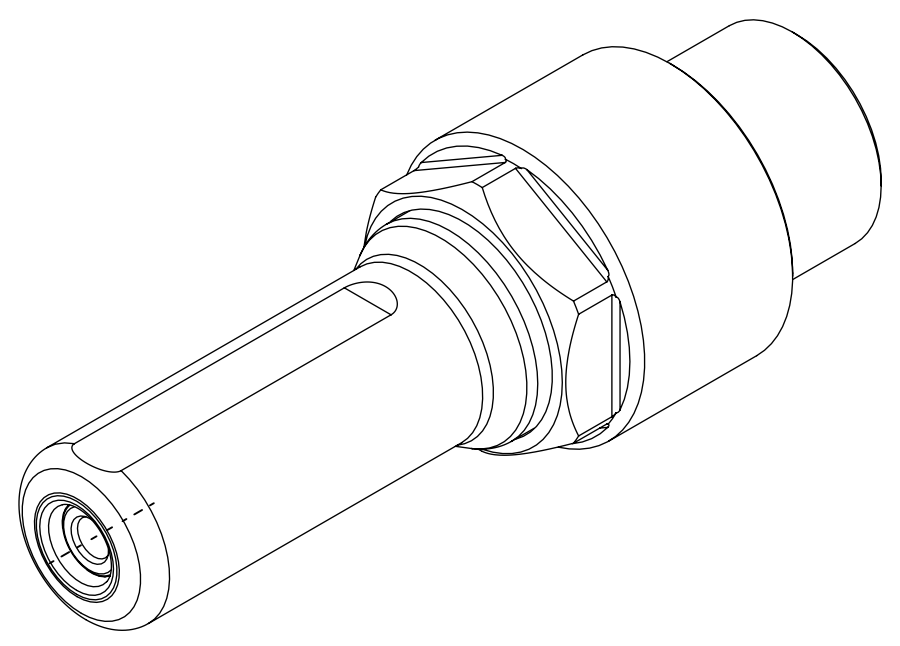
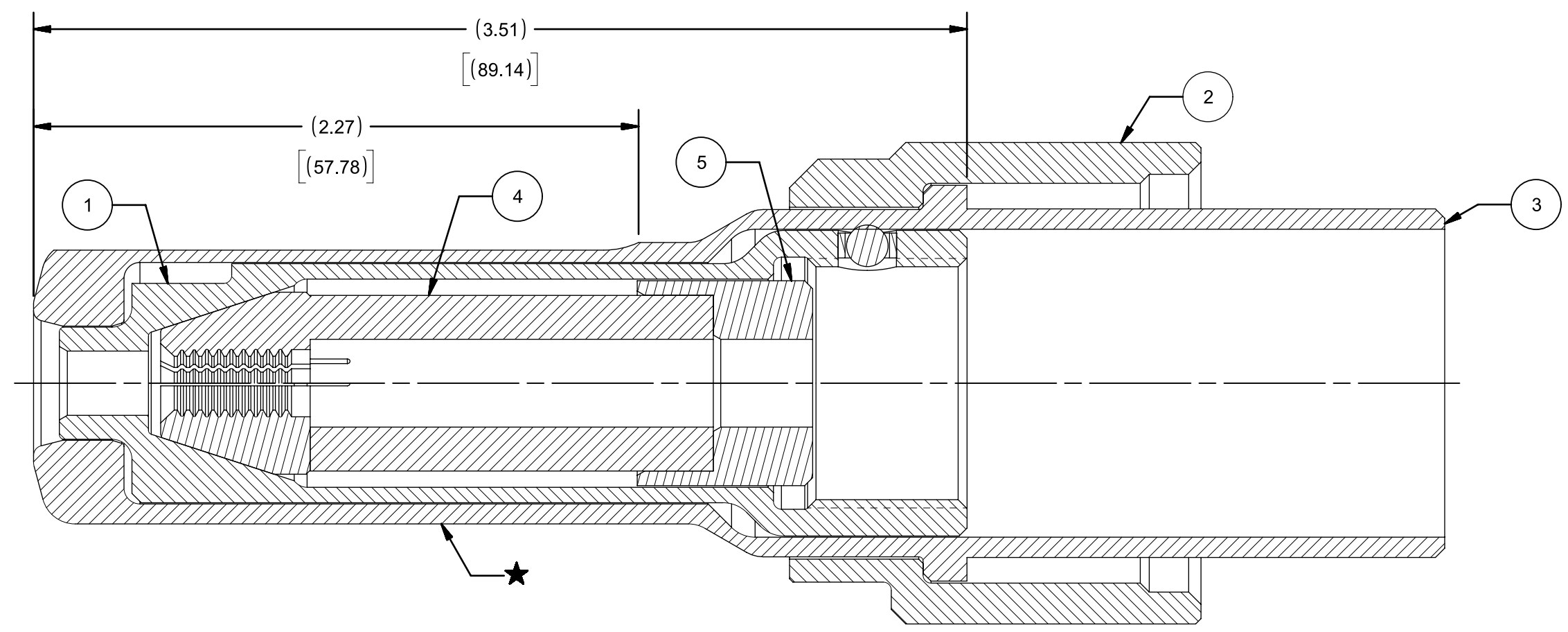
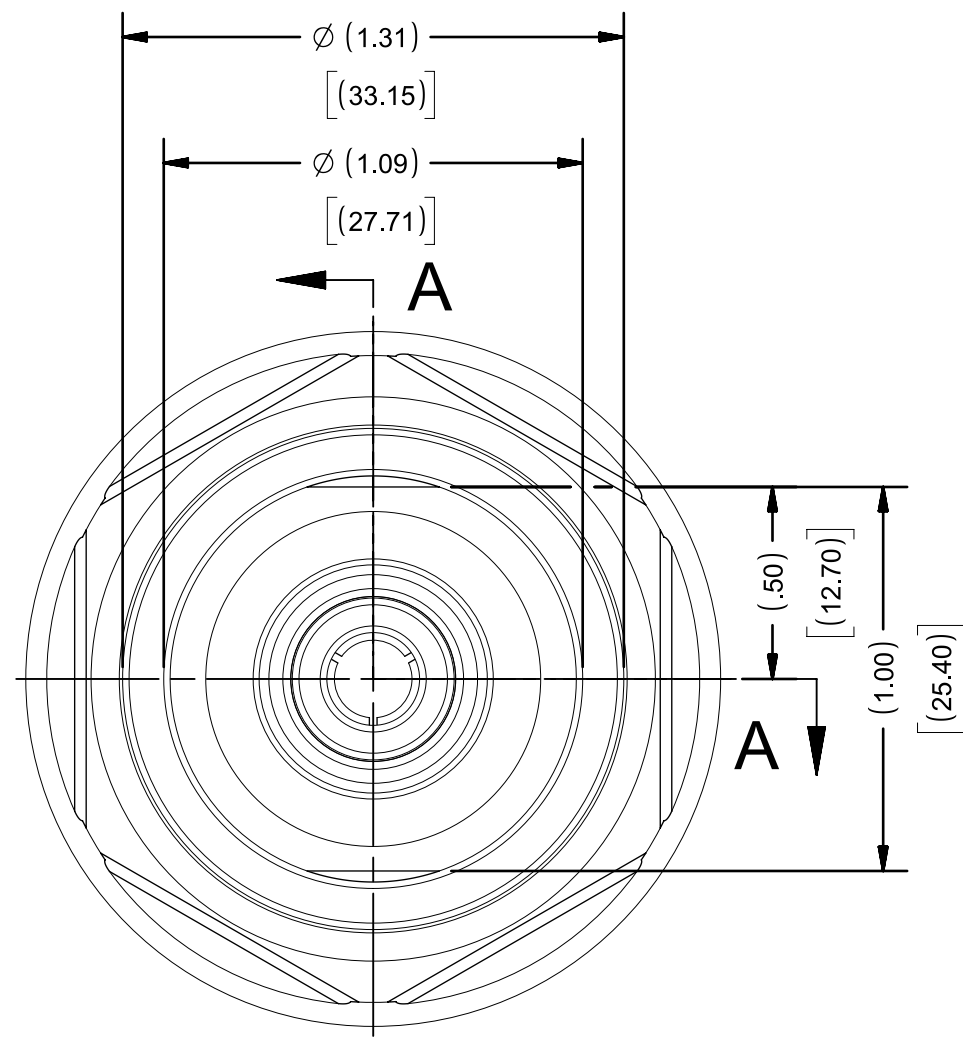



REV	DESCRIPTION	DET	DATE
A	ORIGINAL RELEASE	HKS	05/26/21



SECTION A-A

ITEM	PART NO.	DESCRIPTION	QTY
5	132272	SPACER, -12 BOM	1
4	123011	UNITIZED JAW, -10 BOM	1
3	132320	ANVIL, INTEGRAL	1
2	122756	RETAINING NUT	1
1	132322	ASM, COLLET, -10 BOM	1

FORM KE104 Rev G		FIRST USE: -		SHEET 1 of 1	
IDENTIFICATION PER SPEC 42-311: ★		ETCH		 HUCK INTERNATIONAL, INC., I.S.D 1 CORPORATE DR KINGSTON, NEW YORK 12401	
ITAR/ECCN:	EAR99	N.A., -10 BOM		BV13-177	
HTS:	8467.99.0190	ENG: DL	DET: HKS	DATE: 05/26/21	SCALE: 1:1
SCH B#:	8467.99.0190	B		99BOM-10-IRBU	

By accepting this proprietary Huck drawing, recipient agrees not to reproduce or disclose any part thereof to any other without the written permission of Huck International, Inc.