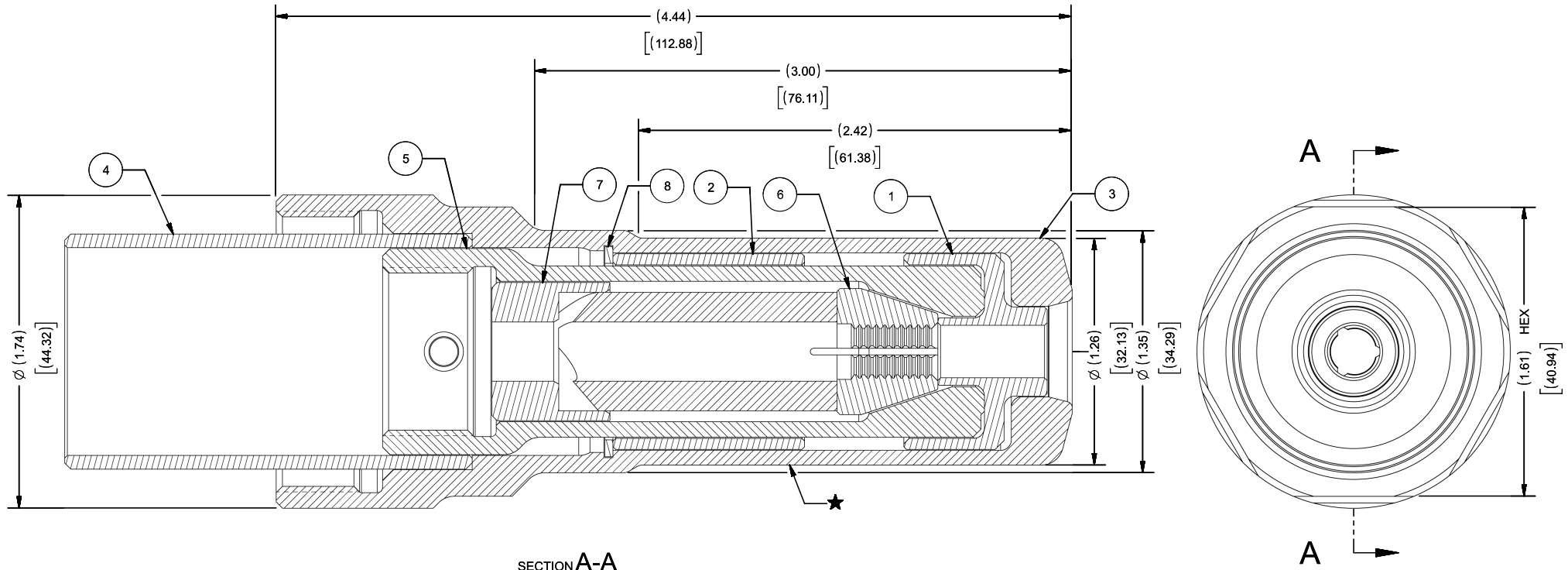
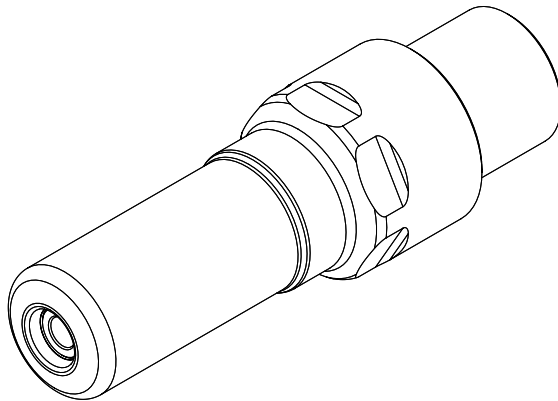


REV	DESCRIPTION	DET	DATE
A	ORIGINAL RELEASE	HKS	03/23/22



SECTION A-A



By accepting this proprietary Huck drawing, recipient agrees not to reproduce or disclose any part thereof to any other without the written permission of Huck International, Inc.

8	509075	RING, RETAINING	1
7	132272	SPACER, -12 BOM	1
6	132425	JAWS, UNITIZED	1
5	132426	ASM, COLLET	1
4	132264	SLEEVE, BALL LOCK	1
3	132265	ANVIL, -12 BOM	1
2	131620	TUBE, SPACER	1
1	132423	CAP, -12 BOM	1
ITEM	PART NO.	DESCRIPTION	QTY

FORM KE104 Rev G		FIRST USE		SHEET 1 of 1	
IDENTIFICATION PER SPEC 42-311: ★		ETCH			
ITAR/ECCN: EAR99				HUCK INTERNATIONAL, INC., I.S.D 1 CORPORATE DR KINGSTON, NEW YORK 12401	
HTS: 8467.99.0190		NOSE ASSEMBLY, -12 BOM BV13-177			
SCH B#: 8467.99.0190		ENG: NDG DET: HKS DATE: 03/23/22 SCALE: 1:1			
		B		99BOM-12-IRBU	